



## CRE3 Continuous Row Systems

### -Slim and Robust Lighting solution

CRE3 Continuous Row Systems is specially designed for high-end office, hotel and restaurant. As a main office lighting fixtures, we are trying to make it become a common product, but it unique. Smooth and linear body structure, increasing rounded end cap, get balance of slim and robust. The Optical system enlarge the lighting-emitting surface to ensure optimum visual comfort. You can select the suspending or ceiling mounted installation according the application.

### Benefits

- The Optical system enlarge the lighting-emitting surface to ensure optimum visual comfort.
- Allows multiple luminaires to be connected in a line arrangement, † arrangement , □ arrangement.

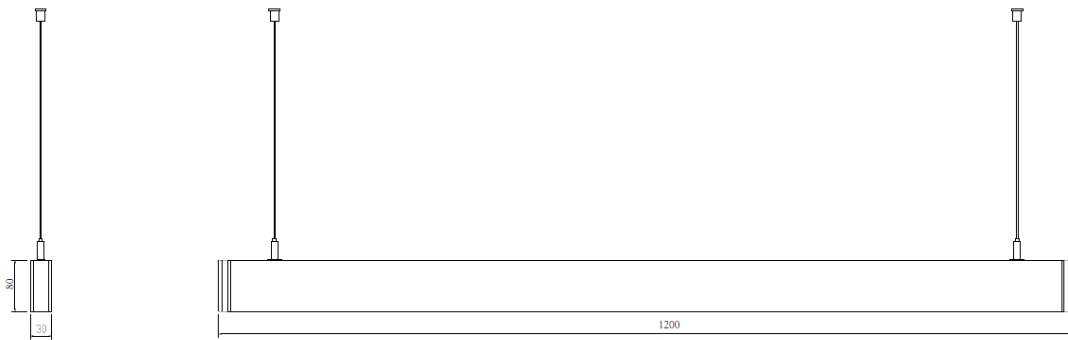
### Application

Office, Hotel, Restaurant, Bar, Retail

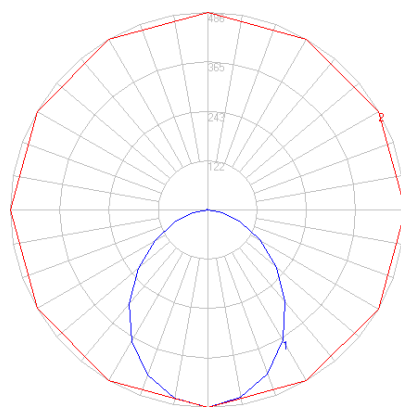
## Specification

<b>Model</b>	CRE31018 , CRE31030 , CRE31036 , CRE31048	<b>LED</b>	Middle power , 2835
<b>Power</b>	18W,18+12W,36W,36+12W	<b>Operating temperature range</b>	+10 < Ta < 40°C
<b>Input</b>	AC220-240V	<b>Beam angle</b>	100°,60°
<b>Material</b>	Housing:6061 aluminum, Diffuser cover: PC	<b>CCT</b>	3000K , 4000K , 5000K
<b>IP grade</b>	IP20	<b>CRI</b>	Ra>80
<b>Color</b>	White, black	<b>PF</b>	>0.93
<b>Finish</b>	Powder Painting	<b>Dimming mode</b>	0-10V,Dali,2.4G optional
<b>Driver</b>	integrated	<b>L70</b>	30000h@25°C
<b>Installation</b>	Suspending , Ceiling mounted	<b>Warranty</b>	2 years

## Dimensional drawing

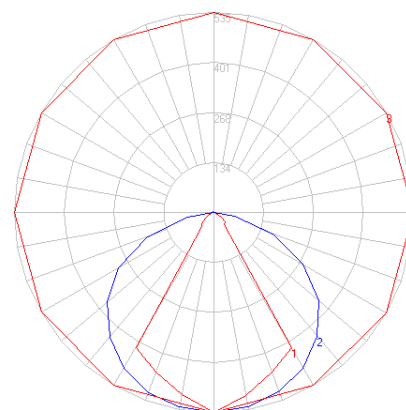


## Photometric data



Diffuser cover

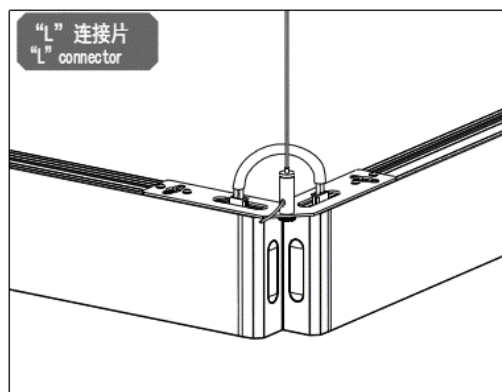
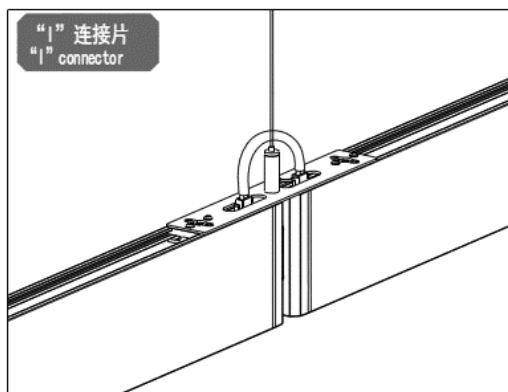
cd/klm



Clear cover

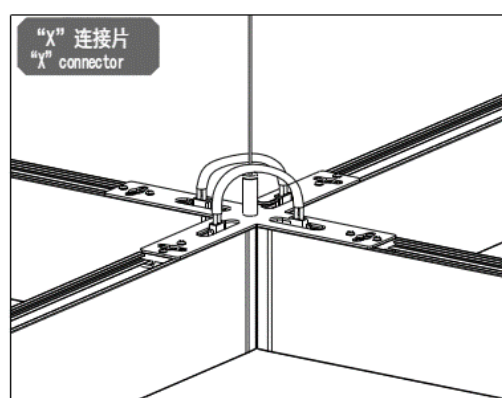
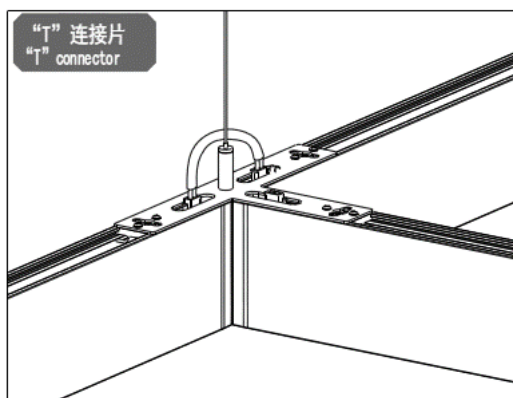
cd/klm

## Arrangement



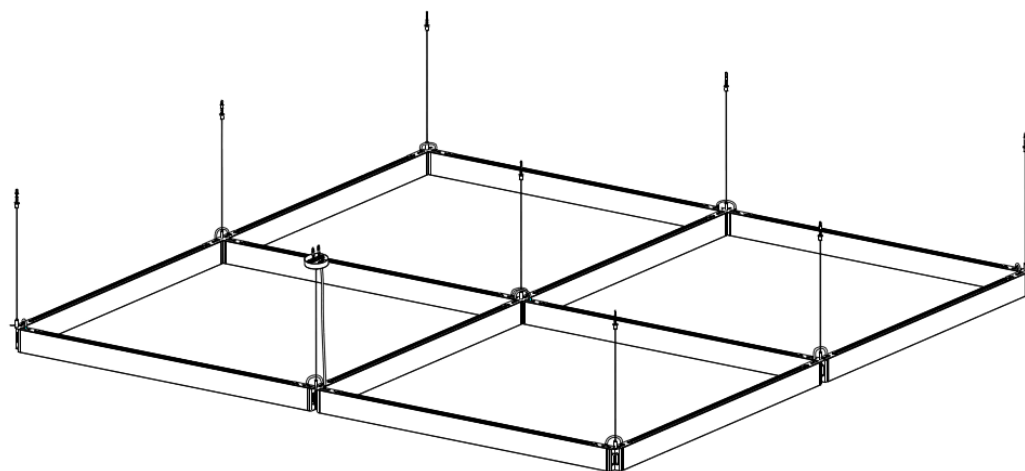
I connection

L connection



T connection

X connection



田 arrangement

## General information

Model <sup>1</sup>	Order code	Product name	Power	Lumen	CCT	CRI <sup>2</sup>	Install <sup>3</sup>
CRE30018	114500066	CRE3 continuous row systems	18W	1440lm	5000K	Ra>80	Suspending
	114400066	CRE3 continuous row systems	18W	1440lm	4000K	Ra>80	Suspending
	114300066	CRE3 continuous row systems	18W	1300lm	3000K	Ra>80	Suspending
CRE30036	114500065	CRE3 continuous row systems	36W	2880lm	5000K	Ra>80	Suspending
	114400065	CRE3 continuous row systems	36W	2880lm	4000K	Ra>80	Suspending
	114300065	CRE3 continuous row systems	36W	2700lm	3000K	Ra>80	Suspending

1 Due to space limitations , only single product information listed here, if need continuous row systems, please contact us

2 Due to space limitations , only Ra>80 product information listed here, if need Ra>90,please contact us

3 Due to space limitations , only suspending product information listed here, if need recessed, please contact us

Shanghai Inlity Lighting Electronics Co., Ltd

[www.inlity.com](http://www.inlity.com)

TEL : +86-21-37620335/6/7/8

FAX : +86-21-37620339