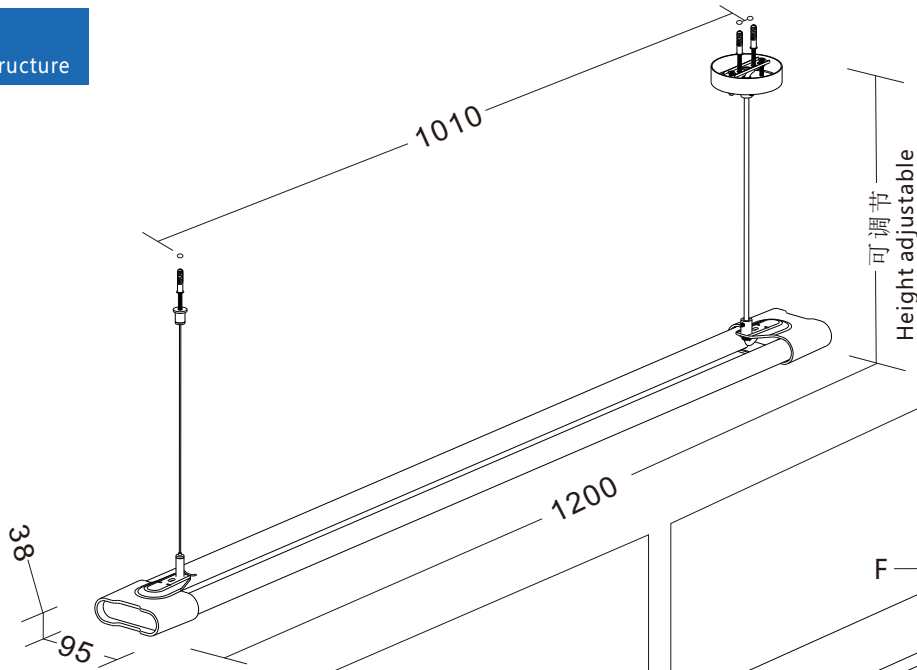
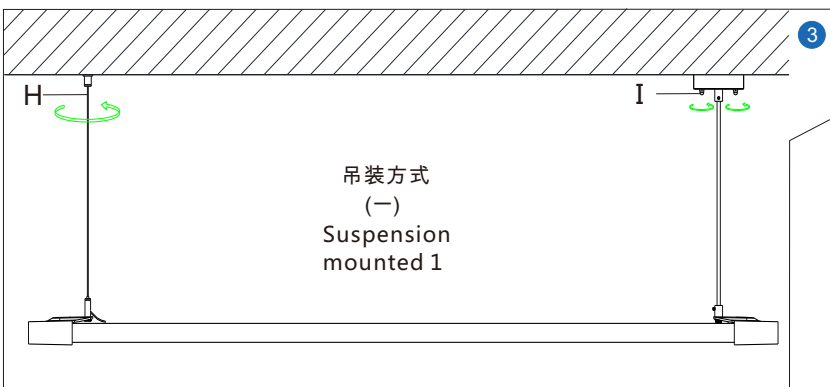
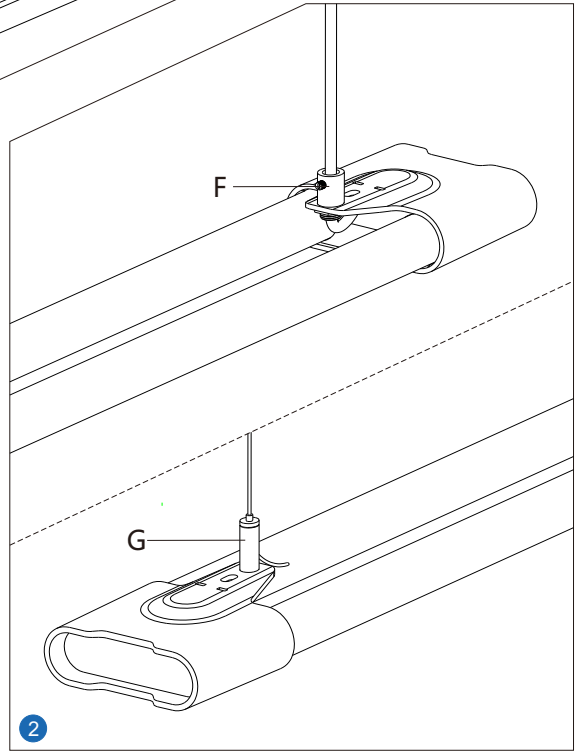
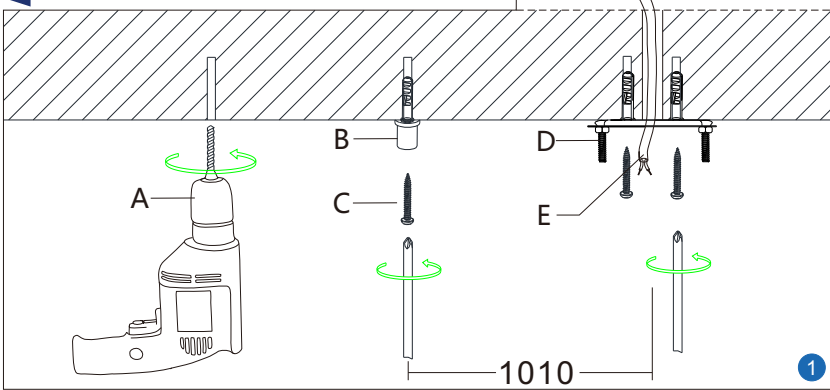


产品结构  
The Luminaire Structure

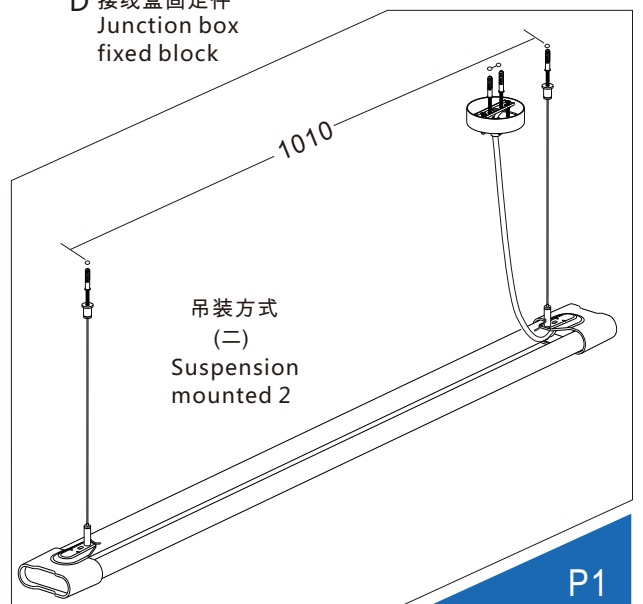
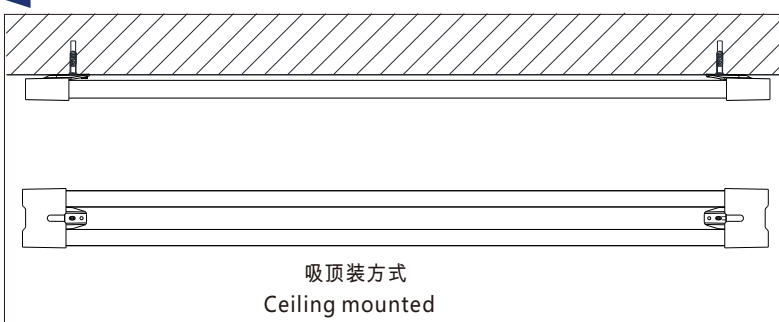


安装示意图 (一)  
Installation 1



- |                                      |                                     |  |
|--------------------------------------|-------------------------------------|--|
| A 电钻<br>Electri drill                | E 电线<br>Power cable                 | H 吊线螺纹端<br>The thread end of suspension wire |
| B 固定螺母<br>Screw nut                  | F 锁线器<br>Locking wire clasp         | I 接线盒<br>Junction box                        |
| C 膨胀螺丝<br>Expansion screw            | G 吊线调节端<br>Suspension wire adjuster |  |
| D 接线盒固定件<br>Junction box fixed block |                                     |  |

安装示意图 (二)  
Installation 2



安装说明  
Introduction

- 1.测量距离打孔，用膨胀螺丝将吊线固定螺母和接线盒固定件锁定在安装位置上；
- 2.将吊线和电源线，用螺丝和锁线器安装在灯体两端；
- 3.调节吊线长度，将灯具安装在固定件上；

- 1.Mark the drill position, fix the screw nut and junction box by expansion screws;
- 2.Fix the hanging wire and power cable to the both ends of lamp body by screws and locking wire clasp.
- 3.Adjust the length of hanging wires and fix the lamp.

注意事项  
Note

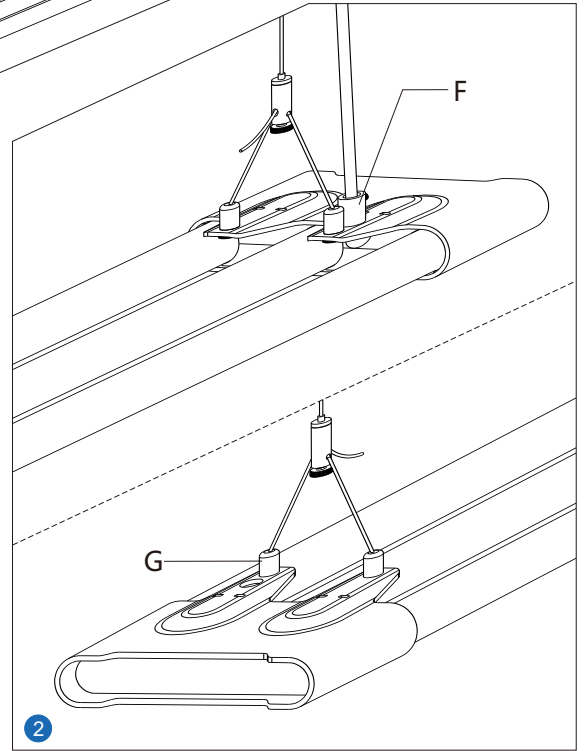
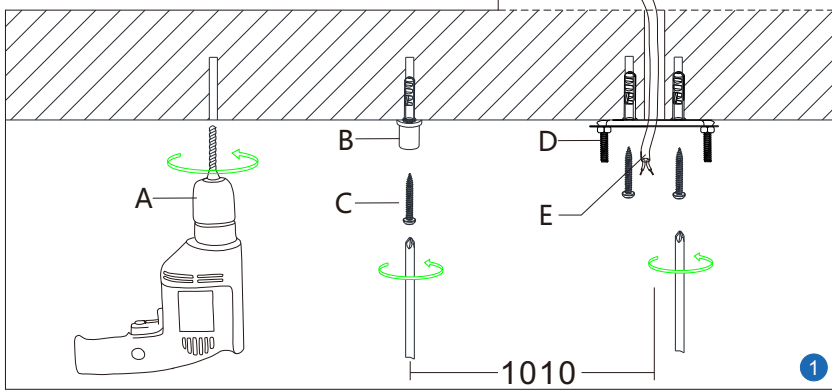
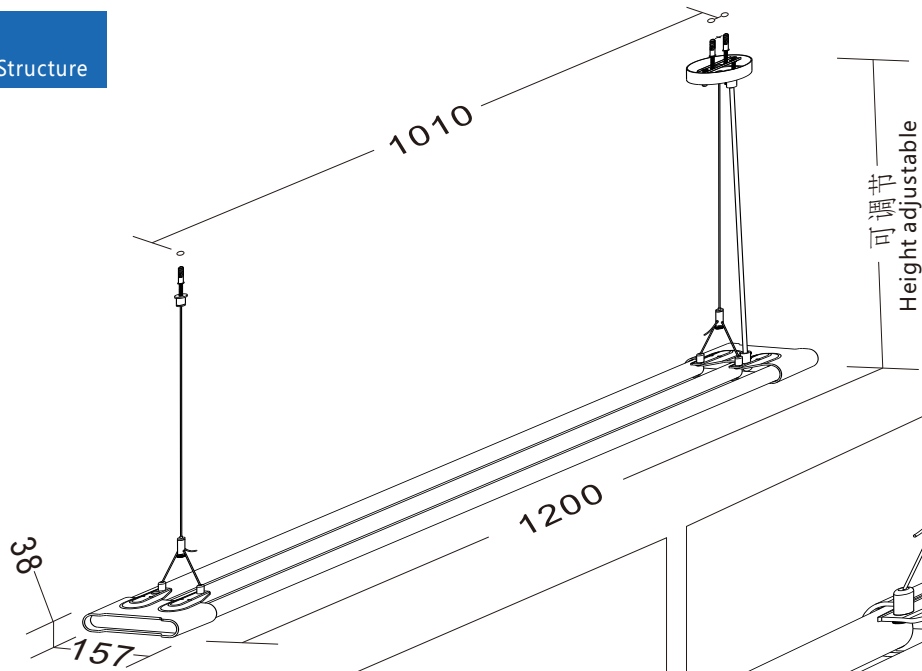
1. 施工安装或更换灯具时，需先切断电源，严格按照安装说明书中图示的方法操作，并远离可燃物体。
2. 发现灯具工作异常时，需先切断电源，检查电源连线是否连接好，如仍然未能解决异常，咨询相关专业人员。
3. 禁止覆盖光源，灯具不可使用在密封环境中。
4. 禁止将导电体伸入灯体内，以免发生短路和人身财产事故。
5. 请勿拆卸水洗或改造本灯具，请勿碰撞和跌落。
6. 请勿在点亮状态下长期直视光源，以防损伤视力，光源发热时，小心烫手。
7. 该灯具使用不得违反任何防火法规。

1. When install or replace luminaires must cut off the power firstly operate in accordance with the method illustrated strictly at the same time the lamp must away from flammable objects.
2. If the luminaries can not work normally cut off the power check the power connection is connected if the case is still not resolved consult the professional staff.
3. Do not cover the LED and the luminaire can not be used in a confined space.
4. Do not extends the conductive object into the lamp body in order to avoid short circuits and personal property and casualty loss.
5. Do not disassemble, washing or alteration of the lamps, and do not collide and fall the lamp.
6. Do not look directly at the light source for a long time when the lamp lit, to prevent damage eyesight.
7. The lamp be used must not be violate any fire codes.

对本说明有其它任何问题，请咨询经销商或生产商的专业人员。

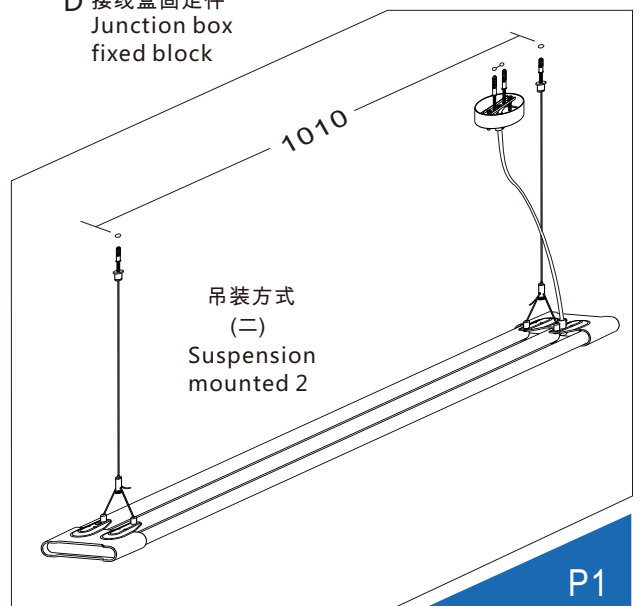
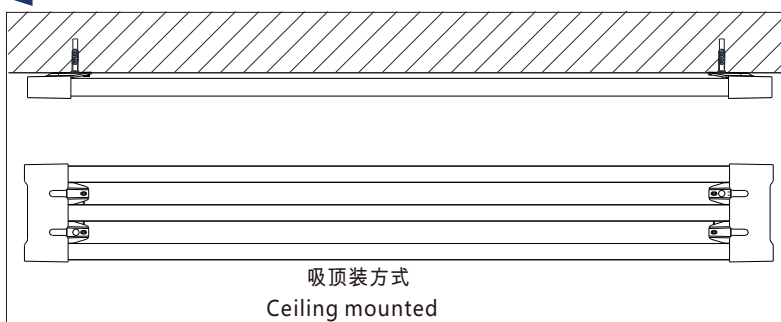
If any questions please contact your dealer or the professional staff of the manufacturer

产品结构  
The Luminaire Structure



- |                                      |                                     |  |
|--------------------------------------|-------------------------------------|--|
| A 电钻<br>Electric drill               | E 电线<br>Power cable                 | H 吊线螺纹端<br>The thread end of suspension wire |
| B 固定螺母<br>Screw nut                  | F 锁线器<br>Locking wire clasp         | I 接线盒<br>Junction box                        |
| C 膨胀螺丝<br>Expansion screw            | G 吊线调节端<br>Suspension wire adjuster |  |
| D 接线盒固定件<br>Junction box fixed block |                                     |  |

安装示意图 (二)  
Installation 2



安装说明  
Introduction

- 1.测量距离打孔，用膨胀螺丝将吊线固定螺母和接线盒固定件锁定在安装位置上；
  - 2.将吊线和电源线，用螺丝和锁线器安装在灯体两端；
  - 3.调节吊线长度，将灯具安装在固定件上；
- 1.Mark the drill position, fix the screw nut and junction box by expansion screws;
  - 2.Fix the hanging wire and power cable to the both ends of lamp body by screws and locking wire clasp.
  - 3.Adjust the length of hanging wires and fix the lamp.

注意事项  
Note

1. 施工安装或更换灯具时，需先切断电源，严格按照安装说明书中图示的方法操作，并远离可燃物体。
  2. 发现灯具工作异常时，需先切断电源，检查电源连线是否连接好，如仍然未能解决异常，咨询相关专业人员。
  3. 禁止覆盖光源，灯具不可使用在密封环境中。
  4. 禁止将导电体伸入灯体内，以免发生短路和人身财产事故。
  5. 请勿拆卸水洗或改造本灯具，请勿碰撞和跌落。
  6. 请勿在点亮状态下长期直视光源，以防损伤视力，光源发热时，小心烫手。
  7. 该灯具使用不得违反任何防火法规。
1. When install or replace luminaires must cut off the power firstly operate in accordance with the method illustrated strictly at the same time the lamp must away from flammable objects.
  2. If the luminaries can not work normally cut off the power check the power connection is connected if the case is still not resolved consult the professional staff.
  3. Do not cover the LED and the luminaire can not be used in a confined space.
  4. Do not extends the conductive object into the lamp body in order to avoid short circuits and personal property and casualty loss.
  5. Do not disassemble, washing or alteration of the lamps, and do not collide and fall the lamp.
  6. Do not look directly at the light source for a long time when the lamp lit, to prevent damage eyesight.
  7. The lamp be used must not be violate any fire codes.

对本说明有其它任何问题，请咨询经销商或生产商的专业人员。

If any questions please contact your dealer or the professional staff of the manufacturer