



CRE51 LED Linear Light

-Slim and Robust Lightingsolution

CRE51 LED linear light is specially designed for high-end office, hotel and restaurant. As a main office lighting fixtures, we are trying to make it become a common product, but it unique. Smooth and linear body structure, increasing rounded end cap, get balance of slim and robust. The Optical system enlarge the lighting-emitting surface to ensure optimum visual comfort. You can select the suspending or ceiling mounted installation according the application.

Benefits

- The Optical system enlarge the lighting-emitting surface to ensure optimum visual comfort.
- Allows multiple luminaires to be connected in a line arrangement, + arrangement, □ arrangement.

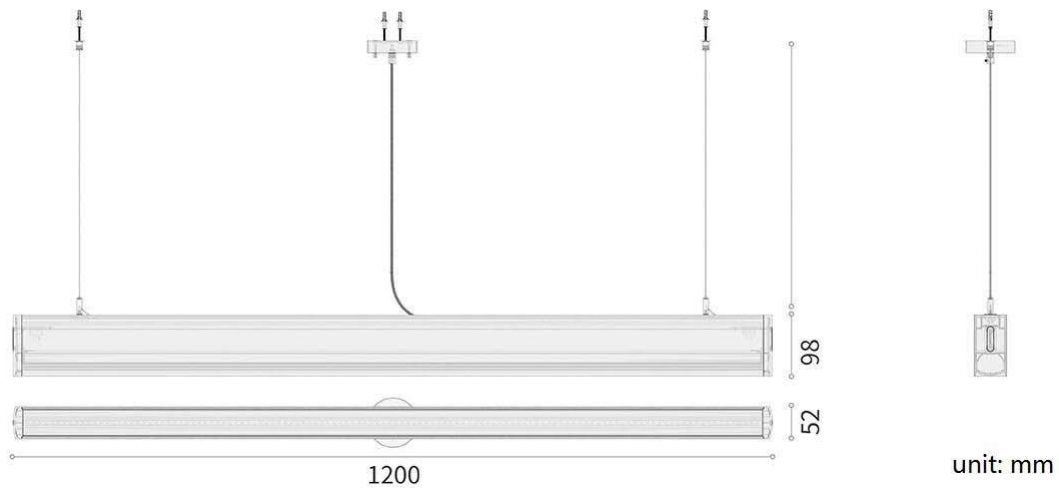
Application

Office, Hotel, Restaurant, Bar, Retail

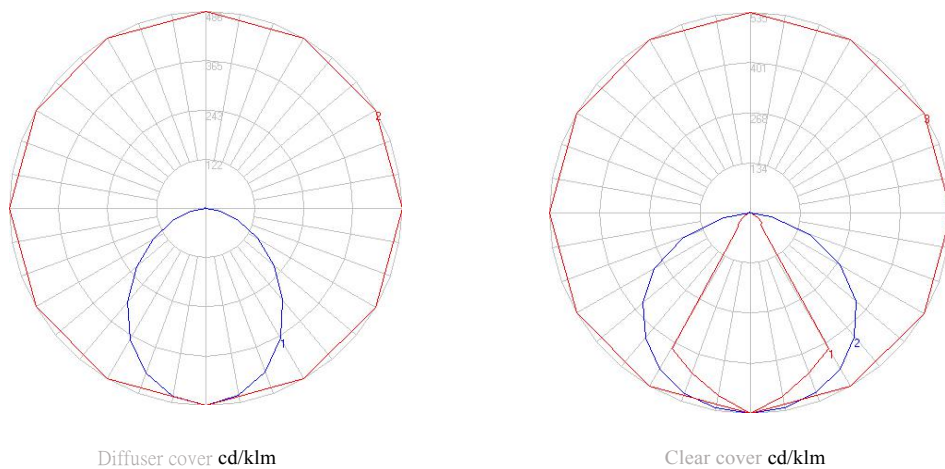
Specification

Model	CRE51018 , CRE51036	LED	Middle power , 2835
Power	18W,12+6W,36W,24+12W	Operating temperature range	+10 < Ta < 40°C
Input	AC220-240V	Beam angle	100°,60°
Material	Housing:6061 aluminum, Diffuser cover: PC	CCT	3000K , 4000K , 5000K
IP grade	IP20	CRI	Ra>80
Color	White , black	PF	>0.93
Finish	Powder Painting	Dimming mode	0-10V,Dali,2.4G optional
Driver	integrated	L70	30000h@25°C
Installation	Suspending , Ceiling mounted	Warranty	2 years

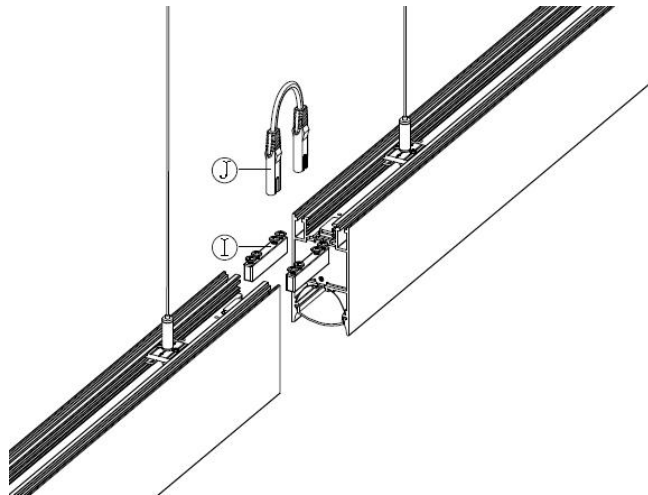
Dimensional drawing



Photometric data



Arrangement: I style connection



General information

Model ¹	Order code	Product name	Power	Lumen	CCT	CRI ²	Install ³
CRE51018	114500066	CRE51 LED linear light	18W	1440lm	5000K	Ra>80	Suspending
	114400066	CRE51 LED linear light	18W	1440lm	4000K	Ra>80	Suspending
	114300066	CRE51 LED linear light	18W	1300lm	3000K	Ra>80	Suspending
CRE51036	114500065	CRE51 LED linear light	36W	2880lm	5000K	Ra>80	Suspending
	114400065	CRE51 LED linear light	36W	2880lm	4000K	Ra>80	Suspending
	114300065	CRE51 LED linear light	36W	2700lm	3000K	Ra>80	Suspending

1 Due to space limitations ∙ only single product information listed here, if need continuous row systems, please contact us

2 Due to space limitations ∙ only Ra>80 product information listed here, if need Ra>90,please contact us

3 Due to space limitations ∙ only suspending product information listed here, if need recessed, please contact us