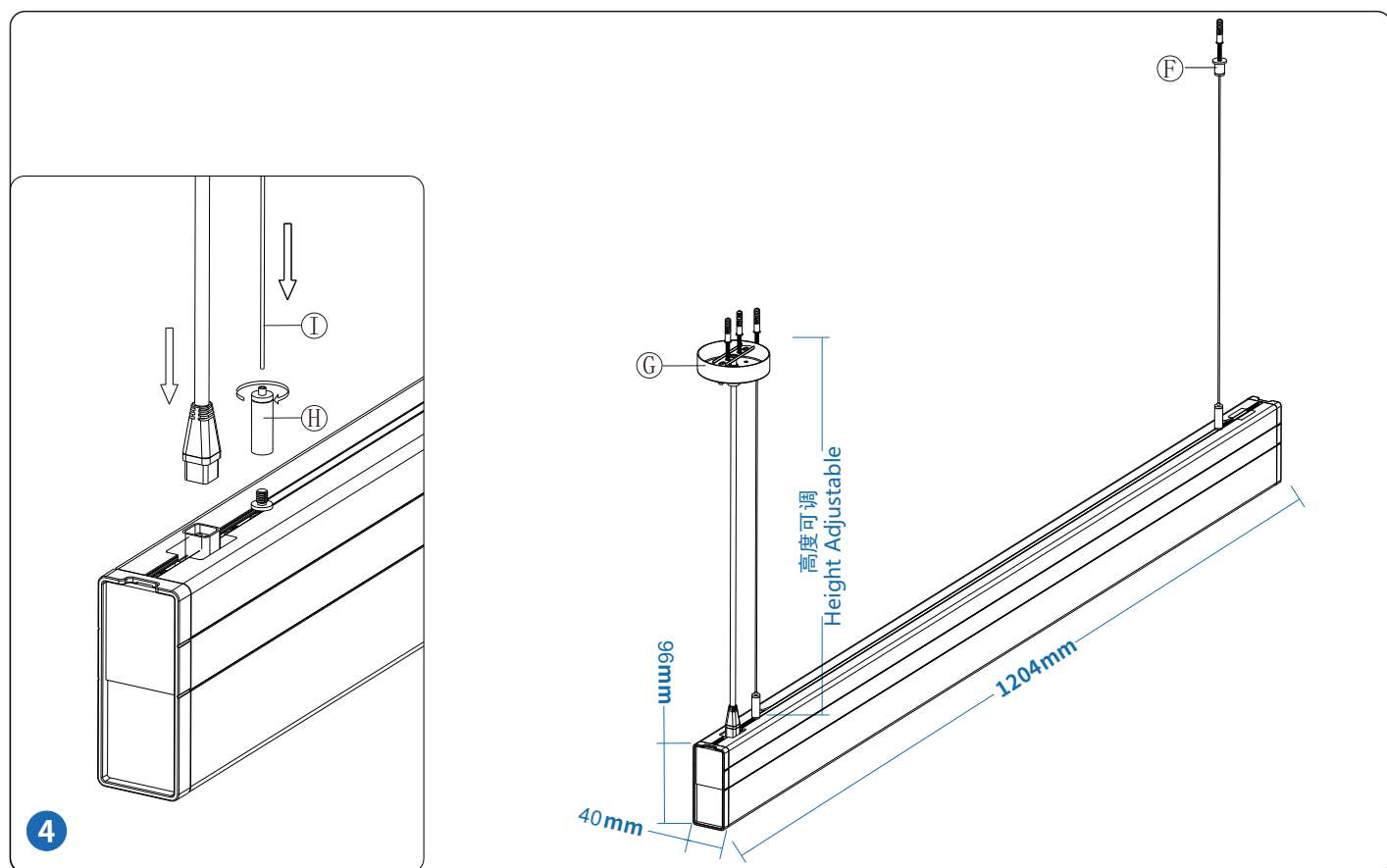
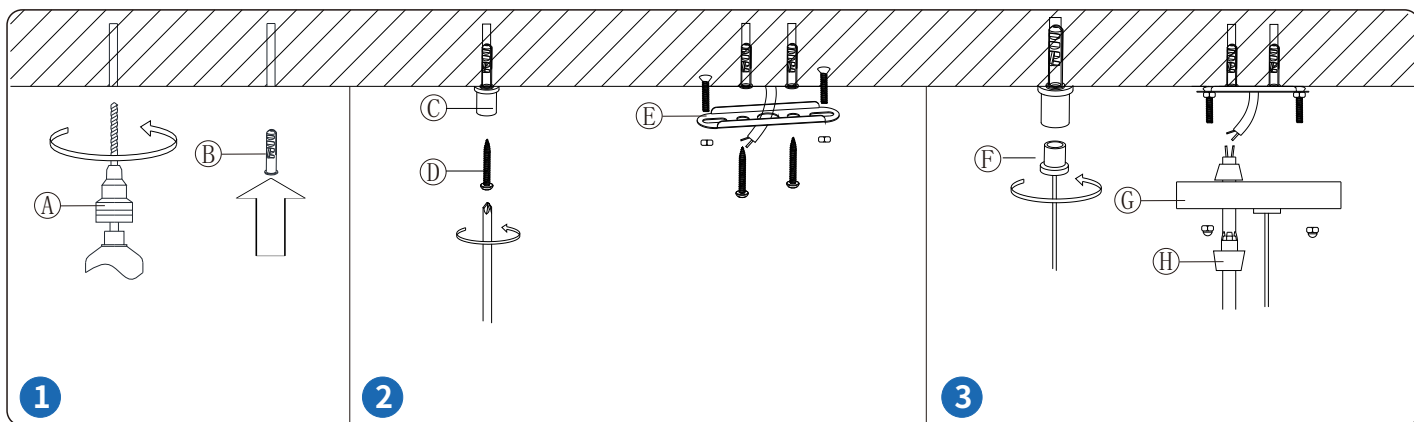


产品结构
The Luminaire Structure



- | | | |
|-------------------------|---------------------------|---------------------------|
| A 电钻
Electric drill | D 膨胀螺丝
Expansion screw | G 吸顶盘
Top-sucking disk |
| B 膨胀管
Expansion pipe | E 吸顶挂板
Ceiling plate | H 电缆锁线器
Wire stocker |
| C 吊码内牙
Clasper | F 吊码外牙
Clasper | I 钢丝绳
Wirerope |

注意事项
Note

1. 施工安装或更换灯具时，需先切断电源，严格按照安装说明书中图示的方法操作，并远离可燃物。
2. 发现灯具工作异常时，需先切断电源，检查电源连线是否连接好，如仍然未能解决异常，咨询相关专业人员。
3. 禁止覆盖光源，灯具不可使用在密封环境中。
4. 禁止将导体伸入灯体内，以免发生短路和人身财产事故。
5. 请勿拆卸水洗或改造本灯具，请勿碰撞和跌落。
6. 请勿在点亮状态下长期直视光源，以防损伤视力，光源发热时，小心烫手。
7. 该灯具使用不得违反任何防火法规。

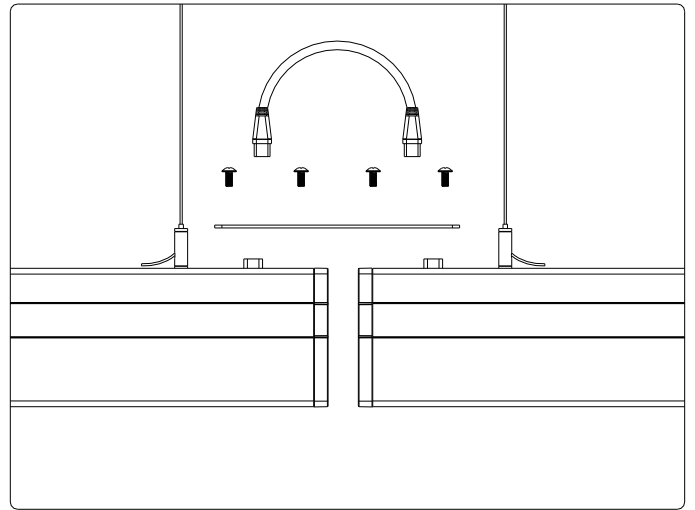
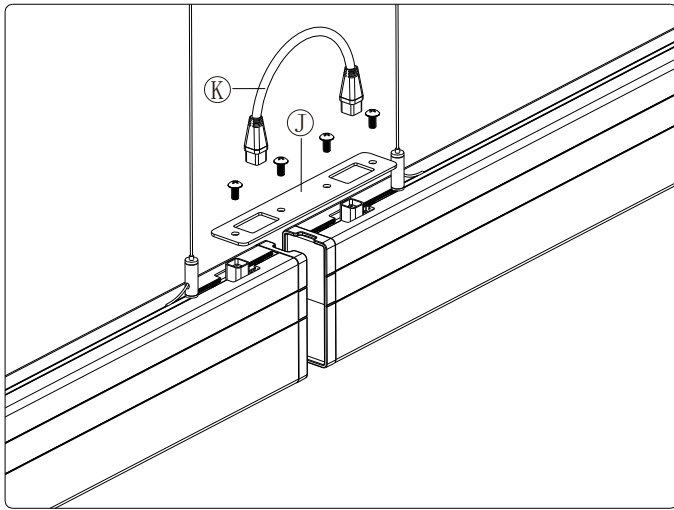
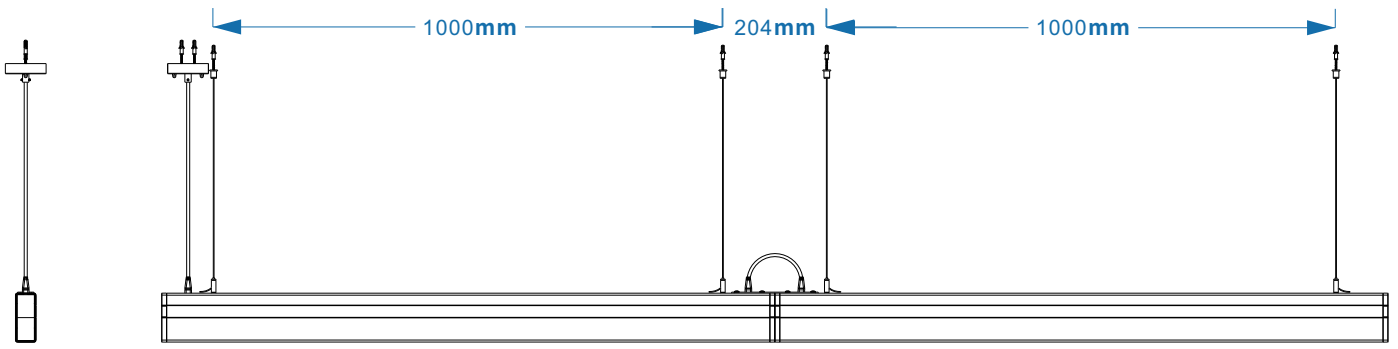
1. When install or replace luminaires must cut off the power firstly operate in accordance with the method illustrated strictly at the same time the lamp must away from flammable objects.
2. If the luminaires can not work normally cut off the power check the power connection is connected if the case is still not resolved consult the professional staff.
3. Do not cover the LED and the luminaire can not be used in a confined space.
4. Do not extends the conductive object into the lamp body in order to avoid short circuits and personal property and casualty loss.
5. Do not disassemble, washing or alteration of the lamps, and do not collide and fall the lamp.
6. Do not look directly at the light source for a long time when the lamp lit, to prevent damage eyesight.
7. The lamp be used must not be violate any fire codes.

安装说明
Installation

1. 在安装位置测量距离；用电钻打相应大小的底孔，将膨胀管敲入底孔内；
2. 将吸顶挂板和吊码内牙锁紧在天花板；
3. 连接灯具与吊线，连接输入电源线，将吸顶盘和吊码即吊线，以螺丝锁紧；
4. 安装吊线及调节长度，插入电源线接头。

1. Measure and mark the installation position by pencil, then drill the holes, knock in the expansion pipe;
2. Lock the ceiling plate and clasper on the ceiling;
3. Connection lamps and suspension wire Hold the lamp and connect the power cable and, fix the ceiling box and clasper to the ceiling girder with screws;
4. Install the hanging wire and adjust the length, then plug in the power cord connecto.

组合结构
Composite structure



J 连接配件
Connecting fittings

K 连接电源线
Connecting cable