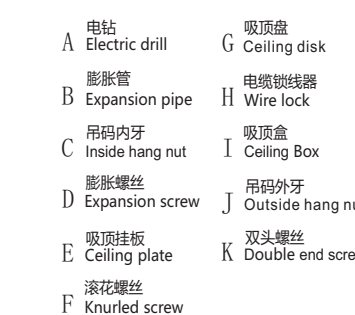
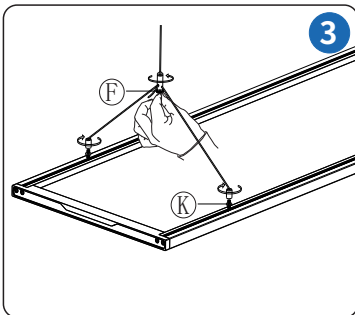
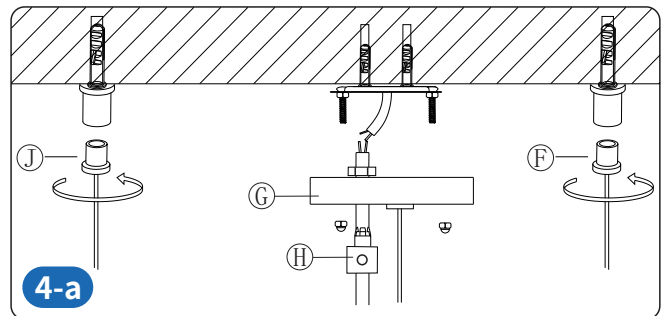
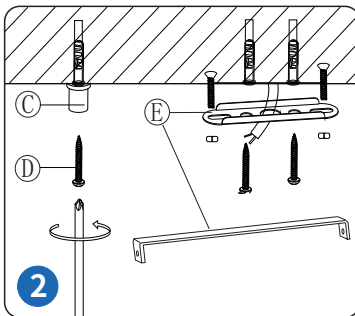
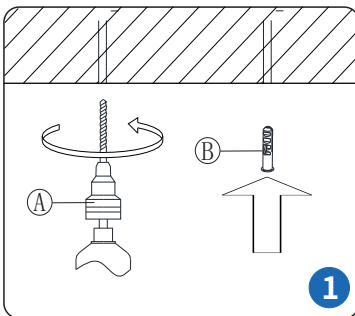
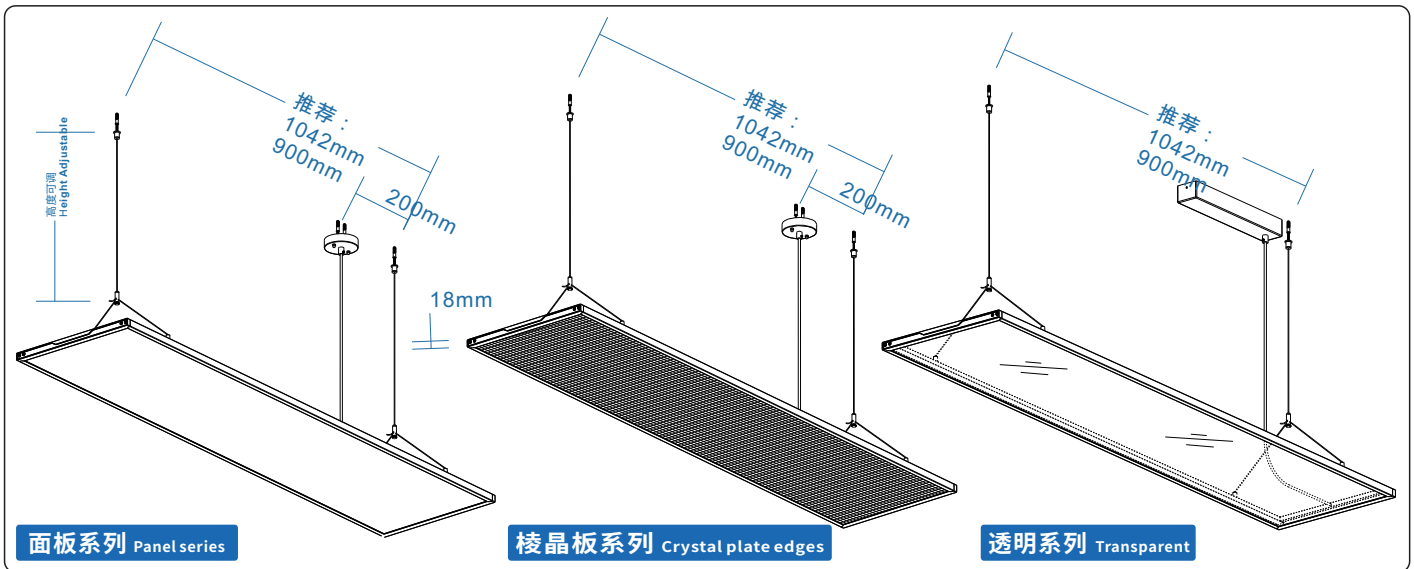


产品结构
The Luminaire Structure



- | | |
|--------|---------|
| A 电钻 | G 吸顶盘 |
| B 膨胀管 | H 电缆锁线器 |
| C 吊码内牙 | I 吸顶盒 |
| D 膨胀螺丝 | J 吊码外牙 |
| E 吸顶挂板 | K 双头螺丝 |
| F 滚花螺丝 | |

注意事项
Note

安装说明
Installation

- 1 在安装位置测量距离；用电钻打相应大小的底孔，将膨胀管敲入底孔内；
- 2 将吸顶挂板和吊码内牙锁紧在天花板上；
- 3 用配件双头螺丝，将灯具与吊线连接在一起，调整到适合安装的位置；
- 4 将吊线的另一端吊码外牙固定在天花板上的吊码内牙上，连接好电源线，吸顶盘或吸顶盒同样固定在挂板上，松开滚花螺丝，调节Y型吊绳使灯具处于水平状态，然后锁紧滚花螺丝，最后按住锁线器上端调节吊绳长度。

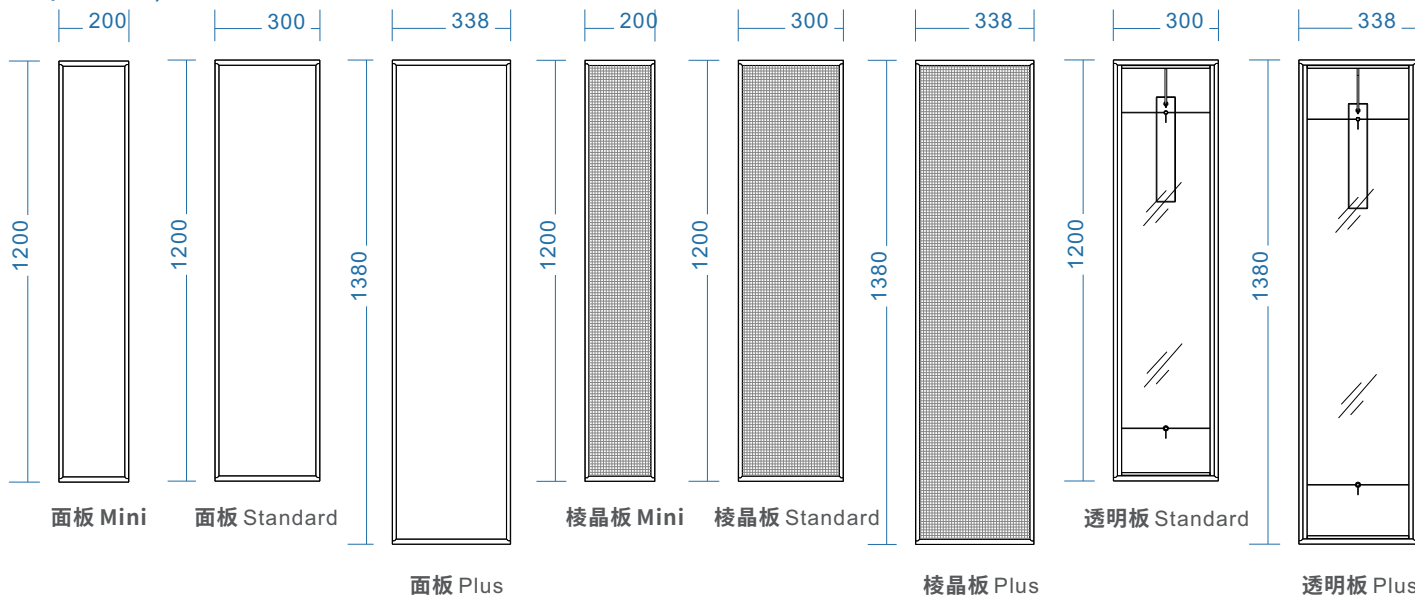
- 1 Measure and mark the installation position by pencil, then drill the holes, knock in the expansion pipe;
- 2 Fix the ceiling plate and inside hang nut to the ceiling;
- 3 Connection lamps and suspension wire with the double end screw at a right position;
- 4 Fix the outside hang nut to the inside hang nut on the ceiling, connect the power wire, then fix the ceiling disk or ceiling box to the ceiling plate, loosen the knurled screw, adjust the lamp at a horizontal position then fasten the knurled screw; at last, adjust the suspension wire length as your need

1. 施工安装或更换灯具时，需先切断电源，严格按照安装说明书中图示的方法操作，并远离可燃物体。
2. 发现灯具工作异常时，需先切断电源，检查电源连线是否连接好，如仍然未能解决异常，咨询相关专业人员。
3. 禁止覆盖光源，灯具不可使用在密封环境中。
4. 禁止将导电体伸入灯体内，以免发生短路和人身财产事故。
5. 请勿拆卸水洗或改造本灯具，请勿碰撞和跌落。
6. 请勿在点亮状态下长期直视光源，以防损伤视力，光源发热时，小心烫手。
7. 该灯具使用不得违反任何防火法规。

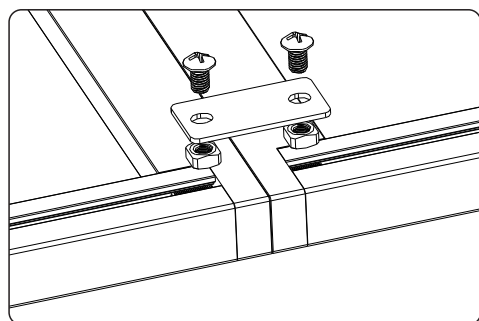
1. When install or replace luminaires must cut off the power firstly operate in accordance with the method illustrated strictly at the same time the lamp must away from flammable objects.
2. If the luminaires can not work normally cut off the power check the power connection is connected if the case is still not resolved consult the professional staff.
3. Do not cover the LED and the luminaire can not be used in a confined space.
4. Do not extends the conductive object into the lamp body in order to avoid short circuits and personal property and casualty loss.
5. Do not disassemble, washing or alteration of the lamps, and do not collide and fall the lamp.
6. Do not look directly at the light source for a long time when the lamp lit, to prevent damage eyesight.
7. The lamp be used must not be violate any fire codes.

系列简图
Series

(单位: mm)



组合结构
Composite structure



组合配件 Elements system

矩形组合 Rectangular

