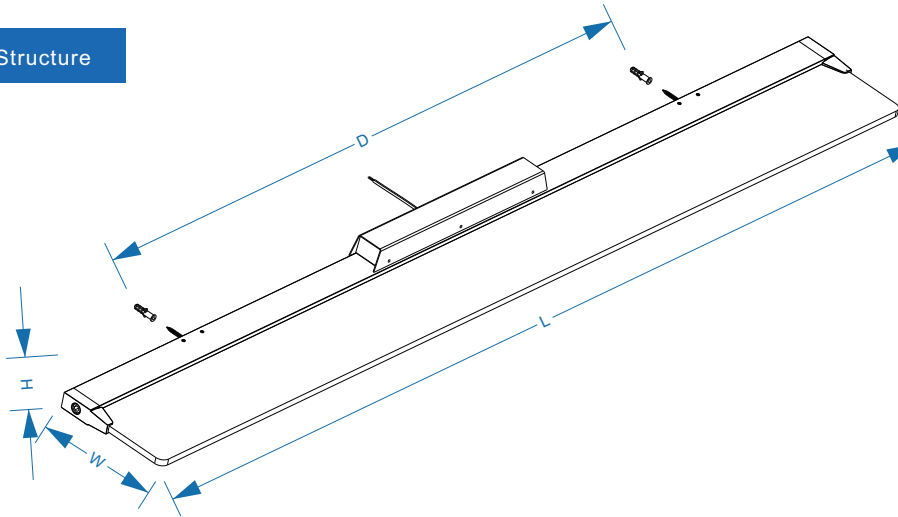


WMX36 Clear Wall Lamp

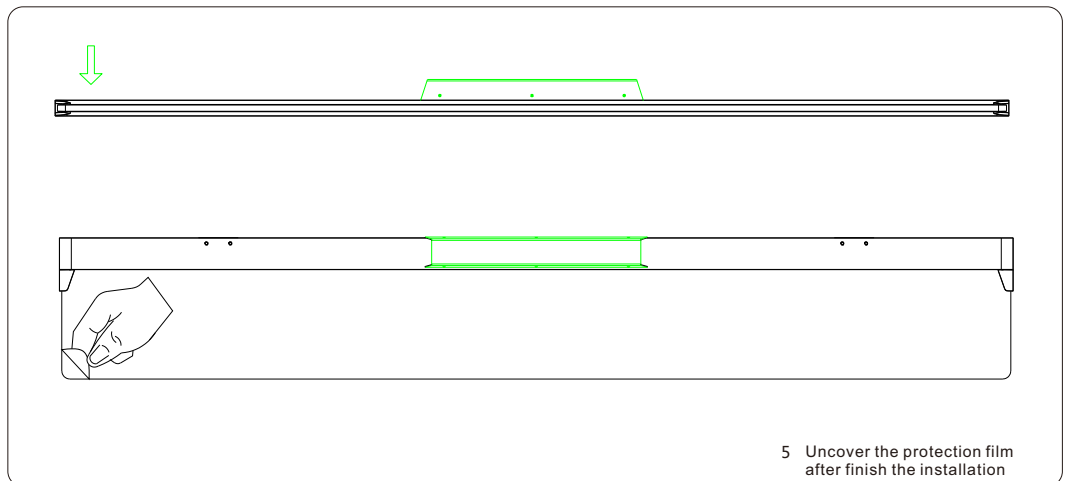
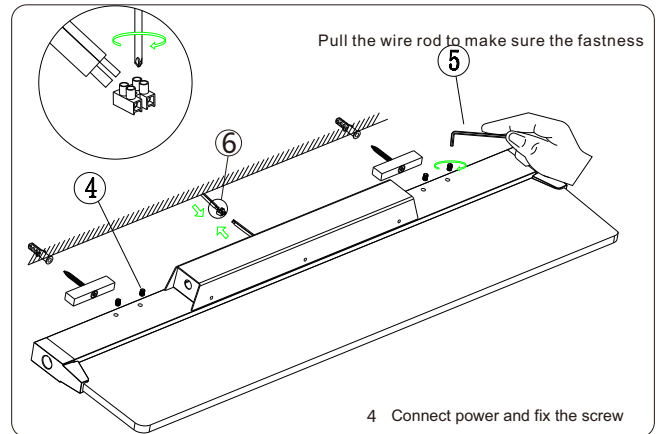
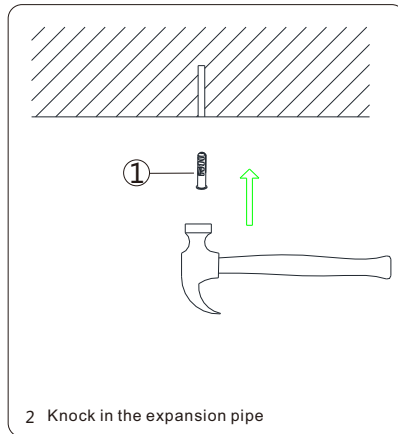
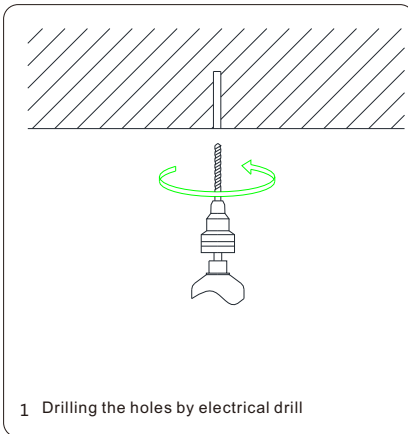
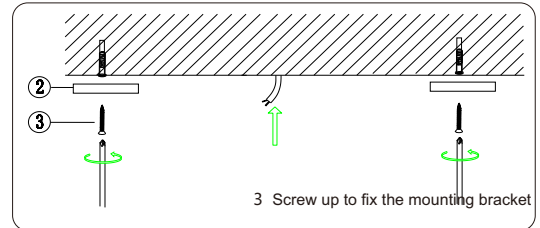
Structure



Unit : MM

| Model | L | W | H | D |
|----------|------|-----|----|-----|
| WMX36010 | 600 | 178 | 46 | 300 |
| WMX39014 | 900 | 178 | 46 | 500 |
| WMX30018 | 1200 | 178 | 46 | 800 |

Installation



- ① Expansion pipe
- ② Mounting bracket
- ③ Anchoring
- ④ Internal hexagonal screw
- ⑤ Internal hexagonal wrench
- ⑥ Terminal

Note

1. When install or replace luminaires, must cut off the power firstly, operate in accordance with the method illustrated strictly, at the same time, the lamp must away from flammable objects.
2. If the luminaires can not work normally, cut off the power, check the power connection is connected, if the case is still not resolved, consult the professional staff.
3. Do not cover the LED, and the luminaire can not be used in a confined space.
4. Do not extends the conductive object into the lamp body, in order to avoid short circuits and personal property and casualty loss.
5. Do not disassemble, washing or alteration of the lamps, and do not collide and fall the lamp.
6. Do not look directly at the light source for a long time when the lamp lit, to prevent damage eyesight.
7. The lamp be used must not be violate any fire codes.

