

WMC4 round wall lamp

Crystal small, the application of flexible

WMC4 series round wall lamp using full reflection, all the light through the front of the two reflection diffuse, light and uniform, Namiakli board as decoration, light faint, the whole of the guide plate crystal clear, so that the light appears rich level, add originality to the meaning of space.

Characteristics of the appearance of stainless steel chrome-plated decorative surface and transparent acrylic combination, the overall concise and able.

Optical use of total reflection out of light, all the light through the wall two reflection divergence out, soft and uniform, and acrylic foil each other, a rich level of light.

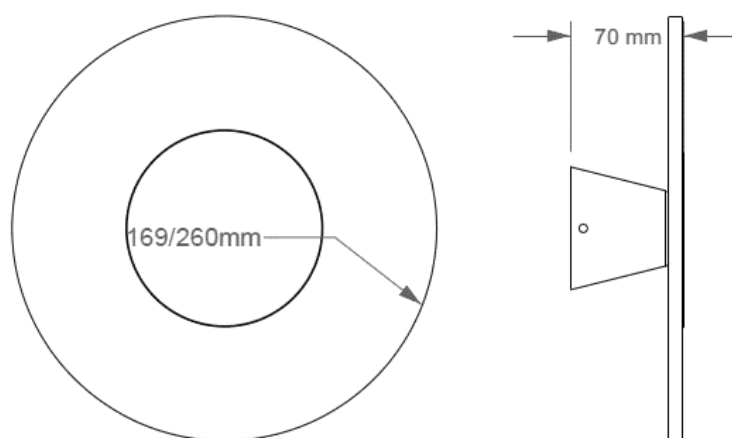
Structural Guide plate directly with chrome-plated stainless steel plate fixed, concise and stable. Easy to install and maintain high pressure direct input, power supply built-in, U-shaped base installation.

Applicable environment Office, hotel, restaurant, bar, living room, bedroom

Product Parameter

Modle	WMC42003 , WMC42006 ,	Led	0.2W , 2835
Power	3W , 6W , 10W	Optic	PMMA
Input	AC220-240V	Beam angel	160°
Material	Chrome plated stainless steel, PMMA light guide plate	CCT	3000K , 4000K
IP Grade	IP20	CRI	Ra>80
Color	Chrome	Power factor	>0.5
Surface Treatmet	Chrome	Dimmable	/
Installation Tem:	Wall mounted -20< Ta < 40°C	Lifespan	30000h@25°C
		Warranty	2年

Dimension



Order information

modle ¹	Order Number	Product name	poer	lumen	CCT	CRI	install ation
WMC43010	114300 224	WMC4 round wall lamp	10W	750lm	3000 K	Ra>80	Wall mounted

	114400 224	WMC4 round wall lamp	10W	800lm	4000 K	Ra>80	Wall mount ed
WMC42006	114300 225	WMC4 round wall lamp	6W	450lm	3000 K	Ra>80	Wall mount ed
	114400 225	WMC4 round wall lamp	6W	480lm	4000 K	Ra>80	Wall mount ed
WMC42003	114300 226	WMC4 round wall lamp	3W	225m	3000 K	Ra>80	Wall mount ed
	114400 226	WMC4 round wall lamp	3W	240m	4000 K	Ra>80	Wall mount ed

Shanghai Inlity Lighting Electronics

Co.,Ltd www.inlity.com

TEL : +86-21-37620335/6/7/8

FAX : +86-21-37620339