



### TBC4 Round Table lamp

-steady run smart, to Jane extraordinary

TBC4 round transparent table lamp using

straight down type of light, all the light is

below the people's sight, no glare, the

light is gentle and uniform, Namiakli board

as decoration, light faint, the whole piece

of guide plate crystal clear, so that the

light appears rich level, add originality to

the meaning of space. Characteristics of

the appearance of stainless steel chrome-

plated decorative surface and transparent

acrylic combination, the overall concise

and able. Optical use of the straight-down

mode of light, all the light through the wall

two reflection divergence out, soft and

uniform, and acrylic foil each other, a rich

level of light. Structural Guide plate

directly with chrome-plated stainless steel

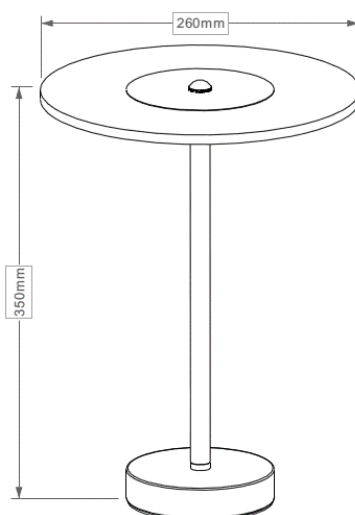
plate fixed, concise and stable. Applicable

environment Office, hotel, study, bedroom

## Product information

Model	TBC4010	Led	0.2w , 2835
Power	10W	Optic	PMMA
Input	AC220-240V	Beam	360°
Voltage		Angel	
Material	Chrome plated stainless steel, PMMA light guide plate	CCT	3000K , 5000K
IP Grade	IP20	CRI	Ra>80
Body color	Chrome	Power factor	>0.5
Surface treatment	Chrome	Dimmable	/
Installation	Lay up	Lifespan	30000h@25°C
Work temp	-20< Ta < 40°C	Warranty	2年

## Dimension



## Order Information

Model	Order Number	Product name	Power	Lumenl	CCT	CRI	Installation
TBC43010	114300223	TBC4 round table lamp	10W	750lm	3000K	Ra>80	Lay up
	114500223	WMC4 round table lamp	10W	800lm	5000K	Ra>80	Lay up

Shanghai Inlity Lighting EElectronics  
Co.,Ltd [www.inlity.com](http://www.inlity.com)  
TEL : +86-21-37620335/6/7/8  
FAX : +86-21-37620339